

DATASHEET

Type: **CAPSULA**
Name: Pendant light
ID: PC937
Designed by: Lucie Koldová



Download

Description

Capsula is a sophisticated light bearing resemblance to a plant cell or seed. The nucleus of the piece is a tubular triplex-glass LED light source that transects the inner shade and translucent external shell to form a notional axis.



Tech. description

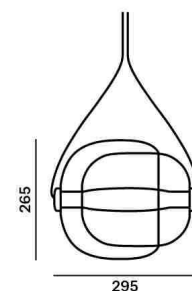
Capsula comprises three glass components. The light source is housed in a glass tube and uses special Brokis connectors in metal end caps. The end caps hold the light together even once the cords have been removed. The light is hung from a ceiling canopy, which also contains the electronics.

Colours options: https://brokis.sharepoint.com/:b:/s/brokis_sp/EWml0TpVthIEqb2jASi5WbgBBOxVHBTrve-rSHXd9DD68A

CONSTRUCTION SPECIFICATION

Weight: 3.9 kg
Construction material: glass, metal
Cord length [mm]: 2,200 mm
Mounting: Ceiling
Environment: Indoor

DIMENSIONS [mm]



ELECTRICAL SPECIFICATION

Input voltage [V]: 100 - 240 V
Frequency [Hz]: 50-60 Hz
Max. power [W]: 8 W
Coverage IP: 20
Socket: LED module
Light source: -
Energy class: E

CERTIFICATIONS



BROKIS S.R.O.
ŠPANILOVA 1315/25
163 00 PRAHA 6 - ŘEPY
CZECH REPUBLIC

ORG ID 64940799
VAT ID CZ64940799
C 42174 MĚSTSKÝ SOUD
V PRAZE

TEL +420 567 211 517
TECHNICAL@BROKIS.CZ
INFO@BROKIS.CZ
WWW.BROKIS.CZ

2022_07
PAGE 1



CP12062

Type	LED module
Lamp wattage [W]	7,5 W
Input voltage [V]	24 VDC
Flux [lm]	275 lm
Light colour [K]	2700 K
CRI	90+
Lifespan [h]	20000h
Dimmable	yes (PWM)



CP12064

Type	LED module
Lamp wattage [W]	7,5 W
Input voltage [V]	24 VDC
Flux [lm]	305 lm
Light colour [K]	4000 K
CRI	90+
Lifespan [h]	20000h
Dimmable	yes (PWM)



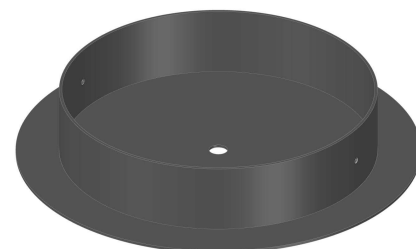
CP12065

Type	LED module
Lamp wattage [W]	7,5 W
Input voltage [V]	24 VDC
Flux [lm]	310 lm
Light colour [K]	5000 K
CRI	90+
Lifespan [h]	20000h
Dimmable	yes (PWM)

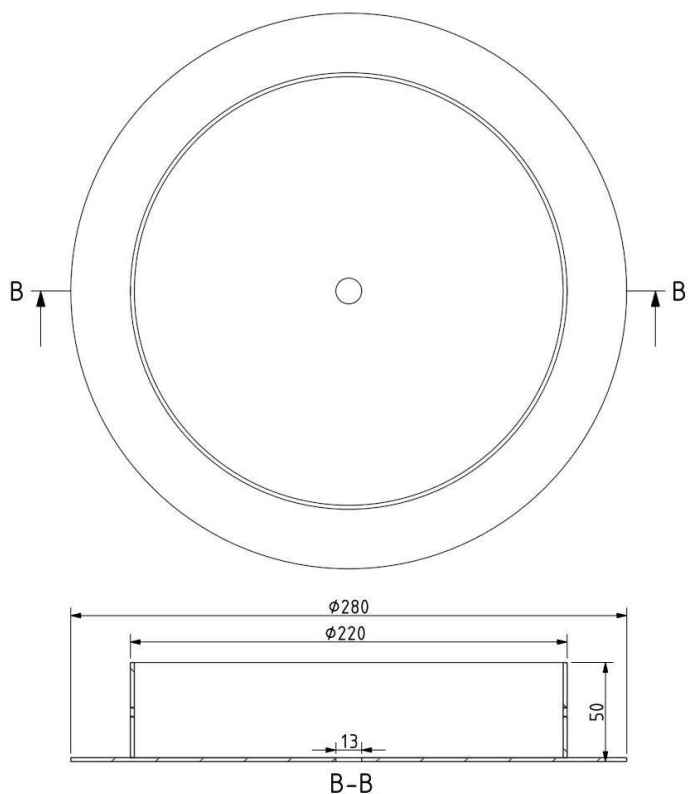


INNER FIXTURE

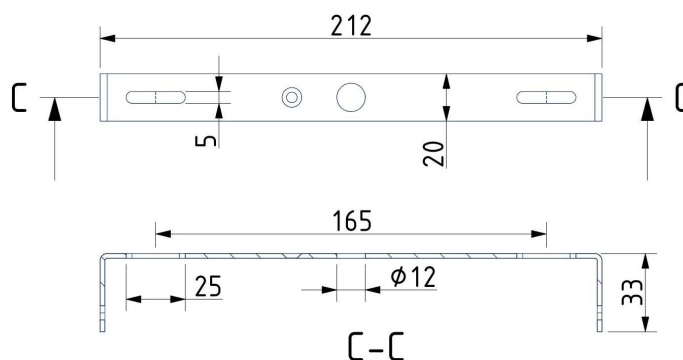
Dimensions O x w [mm] 280 x 50 mm
Weight [kg] 1.6 kg
Material metal



Drawing



Hole placement



DATASHEET

Type: **CAPSULA**
Name: Pendant light
ID: PC943
Designed by: Lucie Koldová



Download

Description

Capsula is a sophisticated light bearing resemblance to a plant cell or seed. The nucleus of the piece is a tubular triplex-glass LED light source that transects the inner shade and translucent external shell to form a notional axis.

Tech. description

Capsula comprises three glass components. The light source is housed in a glass tube and uses special Brokis connectors in metal end caps. The end caps hold the light together even once the cords have been removed. The light is hung from a ceiling canopy, which also contains the electronics.



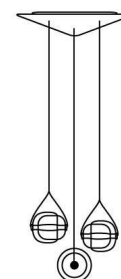
Colours options: https://brokis.sharepoint.com/:b:/s/brokis_sp/EQVkgpqNXtVrGaLue3tSawB-fp0wCYHUCiQK3uqSi8MMQ

CONSTRUCTION SPECIFICATION

Weight: 16.9 kg
Construction material: glass, metal
Cord length [mm]: 2,200 mm
Mounting: Ceiling
Environment: Indoor

DIMENSIONS [mm]

△ 750 × 50



ELECTRICAL SPECIFICATION

Input voltage [V]: 100 - 240 V
Frequency [Hz]: 50-60 Hz
Max. power [W]: 22 W
Coverage IP: 20
Socket: LED module
Light source: -
Energy class: E

CERTIFICATIONS



BROKIS®

BROKIS S.R.O.
ŠPANILOVA 1315/25
163 00 PRAHA 6 - ŘEPY
CZECH REPUBLIC

ORG ID 64940799
VAT ID CZ64940799
C 42174 MĚSTSKÝ SOUD
V PRAZE

TEL +420 567 211 517
TECHNICAL@BROKIS.CZ
INFO@BROKIS.CZ
WWW.BROKIS.CZ

2024_02
PAGE 1



CP12062

Type	LED module
Lamp wattage [W]	7,5 W
Input voltage [V]	24 VDC
Flux [lm]	318 lm
Light colour [K]	2700 K
CRI	90+
Lifespan [h]	20000h
Dimmable	yes (PWM)



CP12064

Type	LED module
Lamp wattage [W]	7,5 W
Input voltage [V]	24 VDC
Flux [lm]	352 lm
Light colour [K]	4000 K
CRI	90+
Lifespan [h]	20000h
Dimmable	yes (PWM)



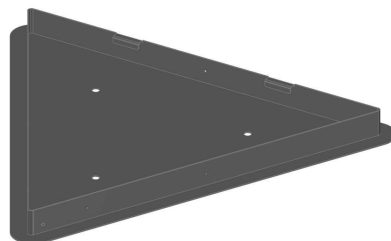
CP12065

Type	LED module
Lamp wattage [W]	7,5 W
Input voltage [V]	24 VDC
Flux [lm]	377 lm
Light colour [K]	5000 K
CRI	90+
Lifespan [h]	20000h
Dimmable	yes (PWM)



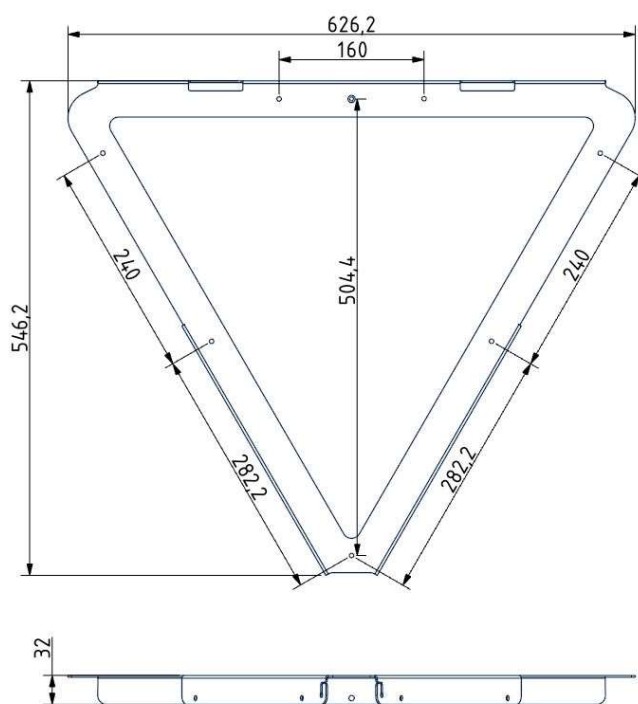
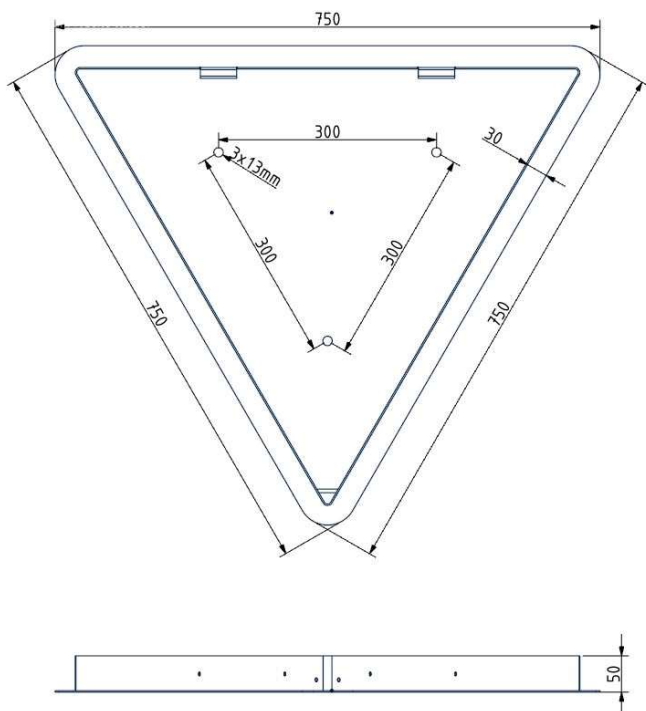
INNER FIXTURE

Dimensions l x w x h [mm] 750 x 750 x 50 mm
Weight [kg] 7.8 kg
Material metal



Drawing

Hole placement



DATASHEET

Type: **CAPSULA**
Name: Pendant light
ID: PC966
Designed by: Lucie Koldová



Download

Description

Capsula is a sophisticated light bearing resemblance to a plant cell or seed. The nucleus of the piece is a tubular triplex-glass LED light source that transects the inner shade and translucent external shell to form a notional axis.

Tech. description

Capsula comprises three glass components. The light source is housed in a glass tube and uses special Brokis connectors in metal end caps. The end caps hold the light together even once the cords have been removed. The light is hung from a ceiling canopy, which also contains the electronics.



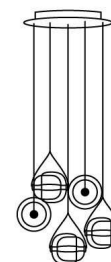
Colours options: https://brokis.sharepoint.com/:b:/s/brokis_sp/Ee2rpbVQg09Bg1PjP3eclDYBd4_drO7MYX1I1LUgqMkweA

CONSTRUCTION SPECIFICATION

Weight: 25.7 kg
Construction material: glass, metal
Cord length [mm]: 2,200 mm
Mounting: Ceiling
Environment: Indoor

DIMENSIONS [mm]

∅ 700 × 50



ELECTRICAL SPECIFICATION

Input voltage [V]: 100 - 240 V
Frequency [Hz]: 50-60 Hz
Max. power [W]: 40 W
Coverage IP: 20
Socket: non-user replaceable LED module
Light source: -
Energy class: E

CERTIFICATIONS



BROKIS®

BROKIS S.R.O.
ŠPANILOVA 1315/25
163 00 PRAHA 6 - ŘEPY
CZECH REPUBLIC

ORG ID 64940799
VAT ID CZ64940799
C 42174 MĚSTSKÝ SOUD
V PRAZE

TEL +420 567 211 517
TECHNICAL@BROKIS.CZ
INFO@BROKIS.CZ
WWW.BROKIS.CZ

2024_02
PAGE 1



CP12062

Type	LED module
Lamp wattage [W]	7,5 W
Input voltage [V]	24 VDC
Flux [lm]	318 lm
Light colour [K]	2700 K
CRI	90+
Lifespan [h]	20000h
Dimmable	yes (PWM)



CP12064

Type	LED module
Lamp wattage [W]	7,5 W
Input voltage [V]	24 VDC
Flux [lm]	352 lm
Light colour [K]	4000 K
CRI	90+
Lifespan [h]	20000h
Dimmable	yes (PWM)



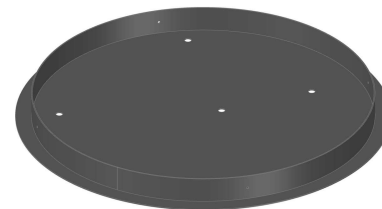
CP12065

Type	LED module
Lamp wattage [W]	7,5 W
Input voltage [V]	24 VDC
Flux [lm]	377 lm
Light colour [K]	5000 K
CRI	90+
Lifespan [h]	20000h
Dimmable	yes (PWM)

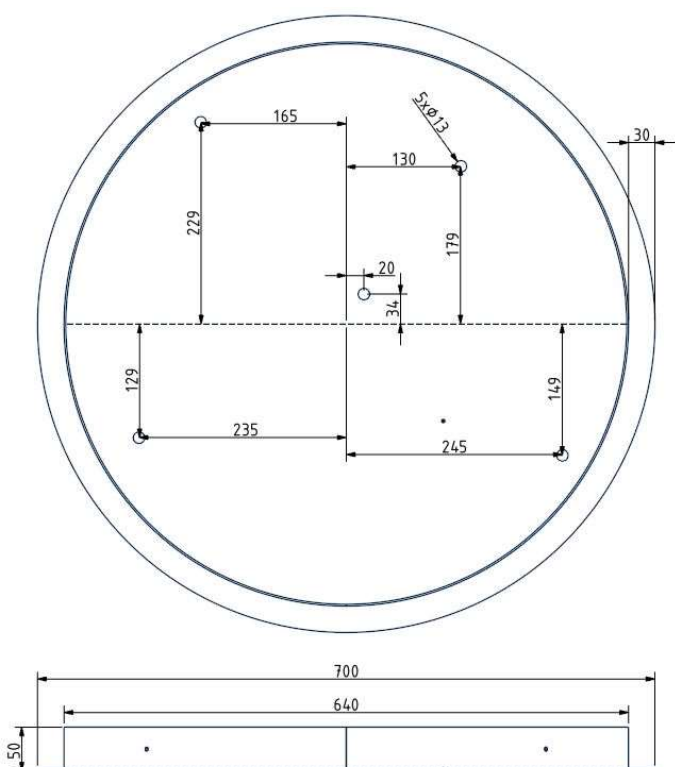


INNER FIXTURE

Dimensions O x w [mm] 700 x 50 mm
Weight [kg] 8.3 kg
Material metal



Drawing



Hole placement

